

### Huntington's Disease: a rare dominant trait

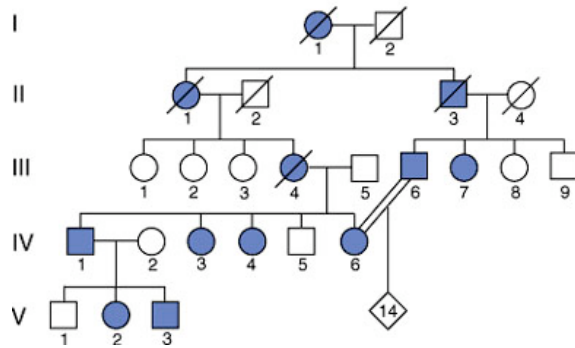


Figure 2.21

### Cystic Fibrosis: a rare recessive condition

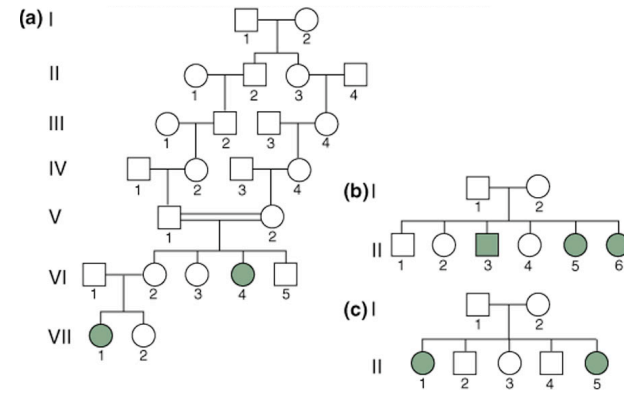


Figure 2.22

### Hemophilia: a recessive X-linked condition

Copyright © The McGraw-Hill Companies, Inc. Permission required for reproduction or display.  
**(a) X-linked recessive: Hemophilia**

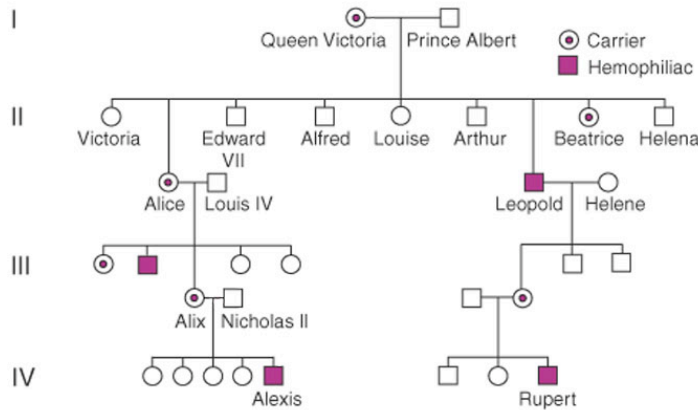


Figure 4.23a

### Hypophosphatemia: a dominant X-linked condition

**(b) X-linked dominant: Hypophosphatemia**

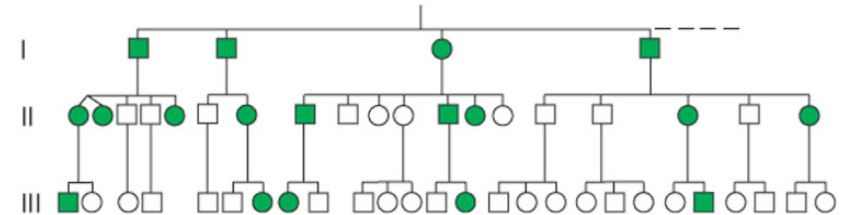


Figure 4.23b